

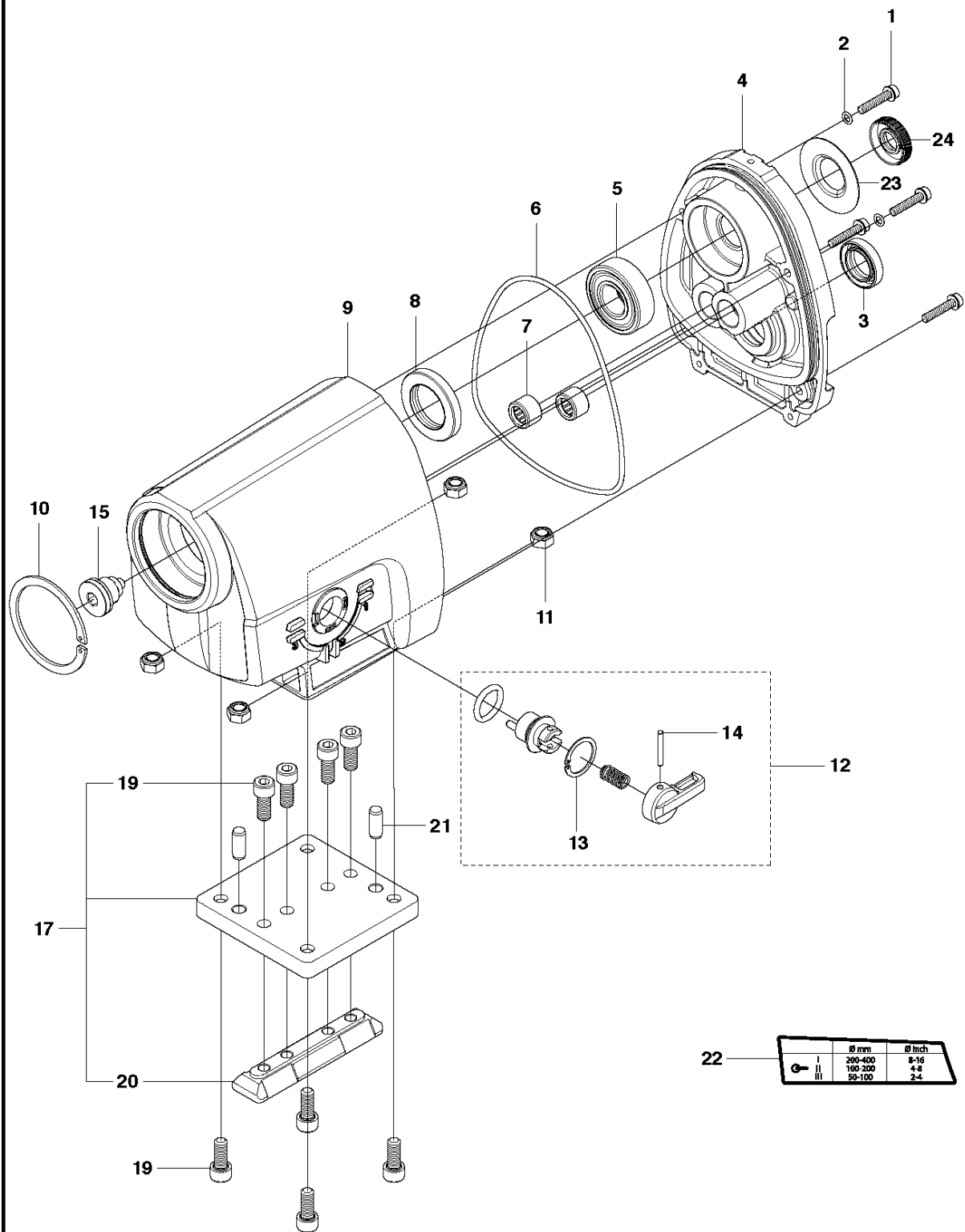


SPARE PARTS LIST

DRILLING EQUIPMENT

DM340, 2012

A1 DM340
GEAR BOX

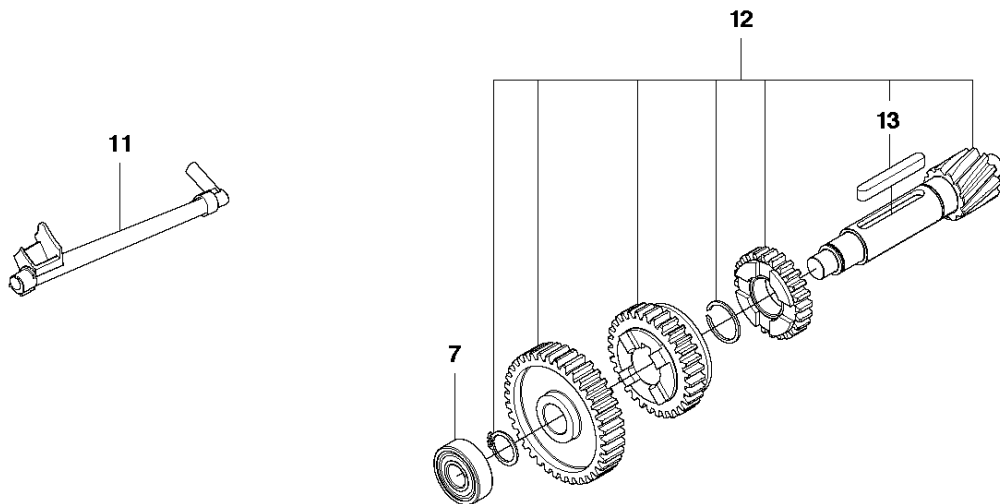
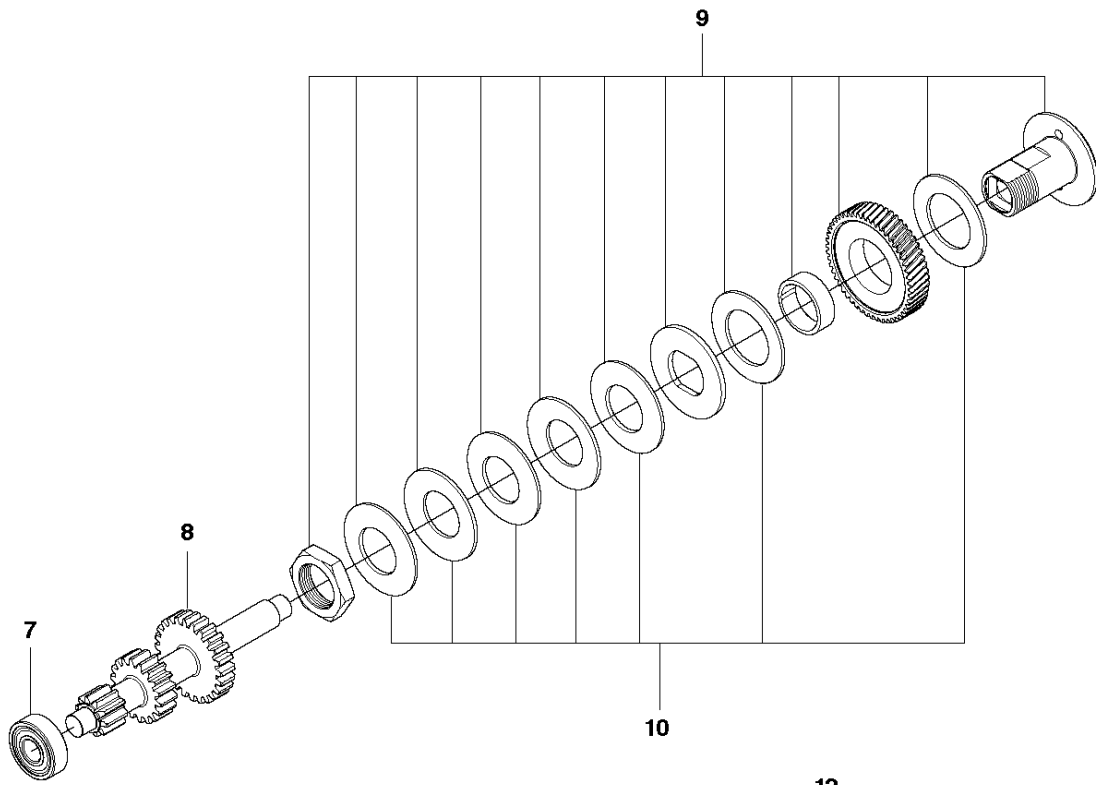
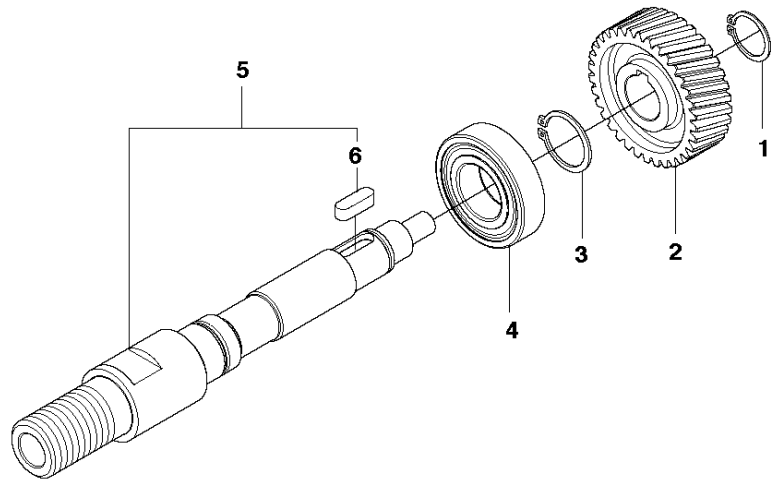


GEAR BOX

DM340, 2012

Ref	Part No	Description	Remark	QTY	KIT
1	503 20 03-25	SCREW IHSCFM		4	
2	740 42 03-00	O-RING		2	
3	502 49 63-01	SEALING RING		1	
4	581 56 58-01	COVER		1	
5	738 22 04-19	BALL BEARING		1	
6	502 49 65-03	O-RING		1	
7	503 25 53-01	NEEDLE BEARING		2	
8	582 31 62-01	RADIAL SEAL		1	
9	581 56 56-01	GEAR HOUSING		1	
10	502 49 70-01	CIRCLIP		1	
11	732 25 18-01	HEXAGON LOCKING NUT		4	
12	588 56 90-01	GEARSHIFT LEVER		1	
13	735 31 22-41	RETAINER RING		1	12
14	720 12 76-06	PARALLEL PIN		1	12
15	525 48 10-01	OIL PLUG		1	
17	575 80 82-01	BRACKET		1	
19	725 54 51-01	SCREW IHSCM		8	17
20	575 80 81-01	WEDGE		1	17
21	720 14 01-06	PARALLEL PIN		2	
22	522 48 17-01	LABEL		1	
23	584 39 02-01	GUIDE WASHER		1	
24	582 59 05-01	RADIAL SEAL		1	

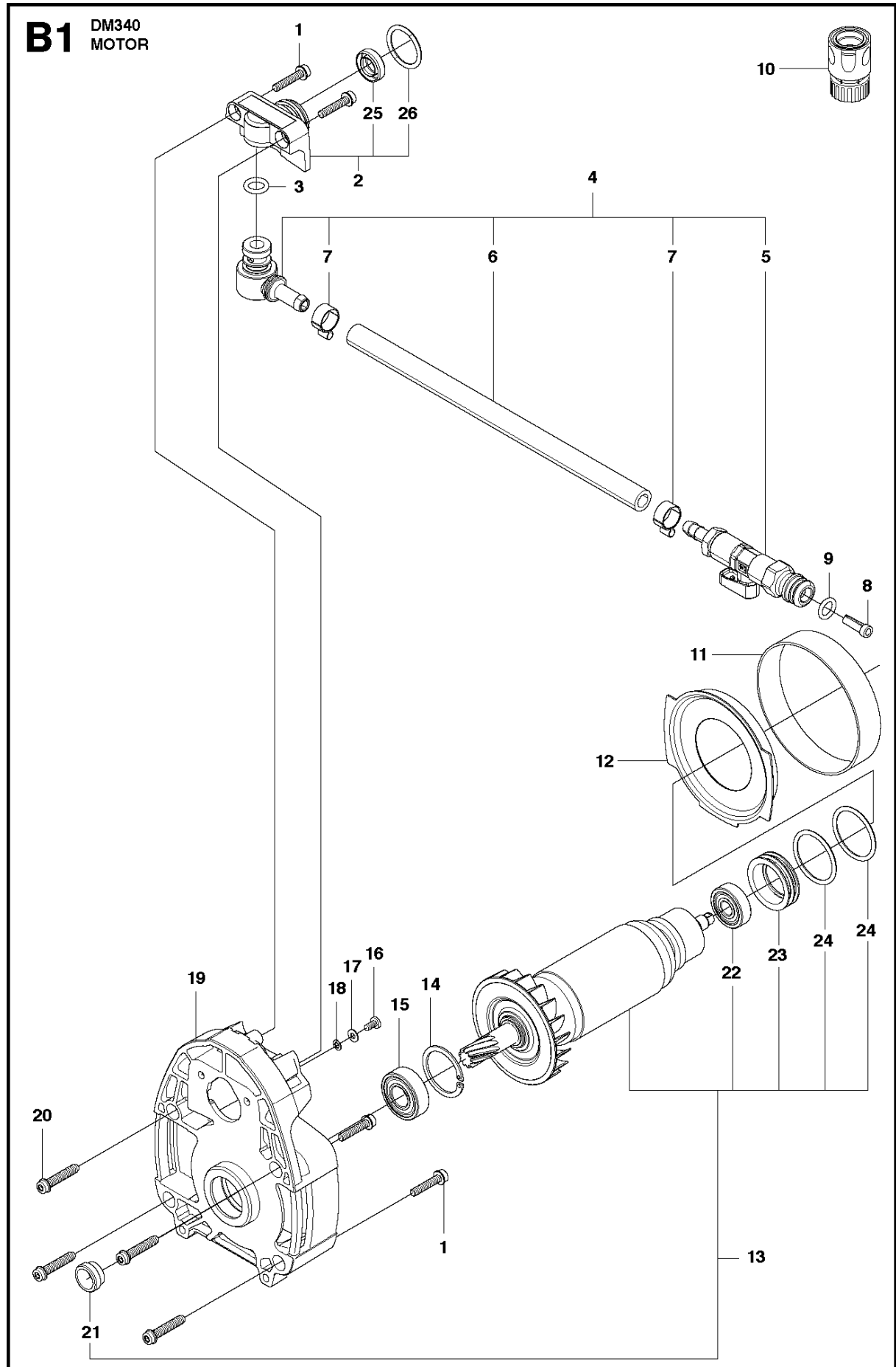
A2 DM340
GEAR BOX



GEAR BOX

DM340, 2012

Ref	Part No	Description	Remark	QTY KIT
1	735 31 25-00	CIRCLIP		1
2	544 39 92-01	GEAR WHEEL		1
3	735 31 30-00	CIRCLIP		1
4	738 22 06-29	BALL BEARING		1
5	525 82 62-01	SPINDLE SHAFT		1
6	502 44 66-04	PARALLEL KEY		1
7	738 22 01-19	BALL BEARING		2
8	544 39 77-01	GEAR WHEEL SHAFT		1
9	588 09 44-02	CLUTCH ASSY		1
10	588 42 79-01	KIT		1
11	525 82 60-01	OIL PIPE		1
12	588 56 89-01	GEAR WHEEL		1
13	502 44 66-03	PARALLEL KEY		1

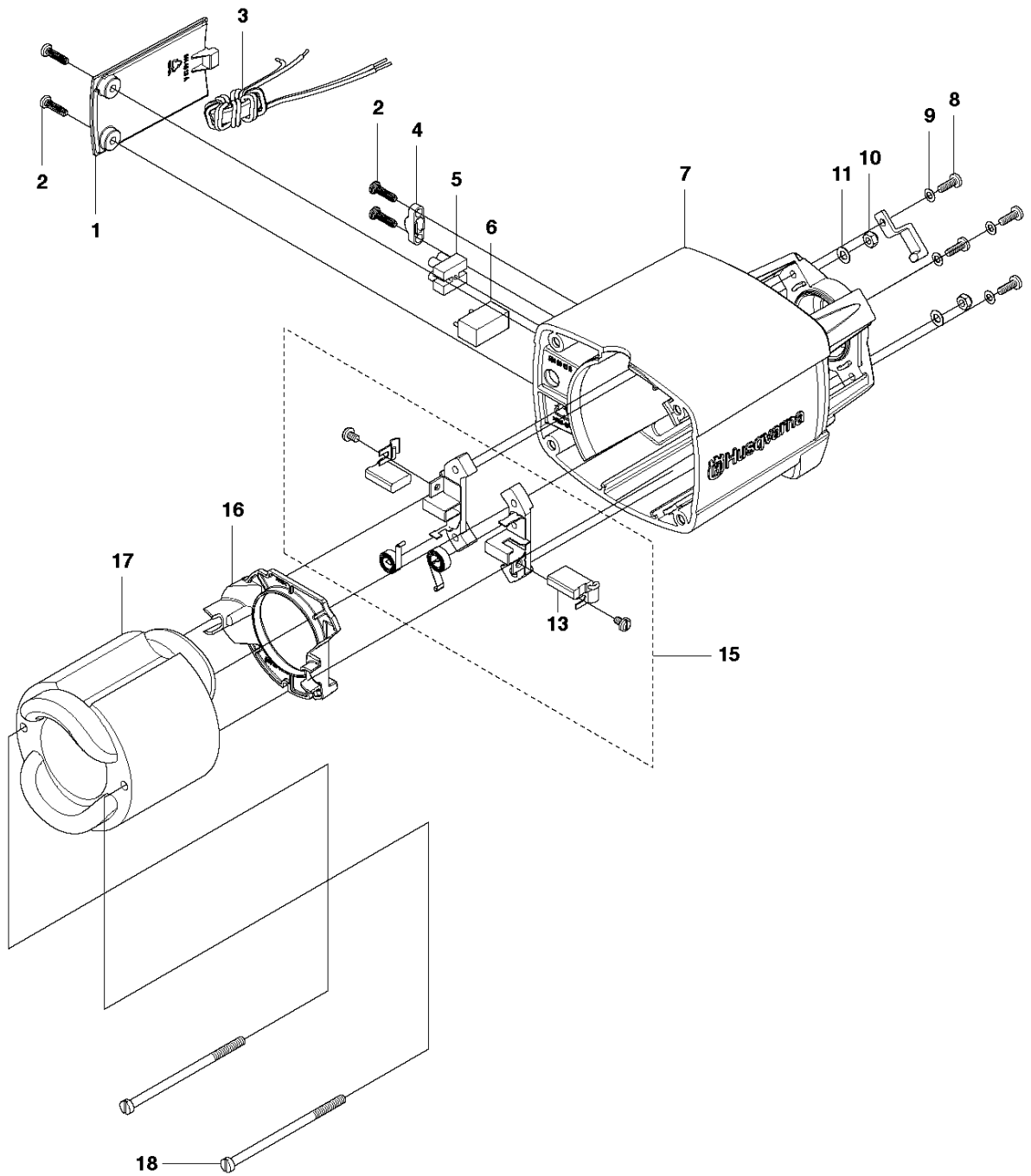


MOTOR

DM340, 2012

Ref	Part No	Description	Remark	QTY	KIT
1	503 20 07-78	SCREW IHSCFM		4	
2	589 62 58-01	BRACKET		1	
3	502 49 65-01	O-RING		2	
4	501 07 22-02	HOSE ASSY		1	
5	587 43 78-02	VALVE ASSY		1	4
6	581 89 36-01	HOSE		1	4
7	576 12 97-01	HOSE CLAMP		2	4
8	506 29 88-01	FILTER		1	
9	505 10 35-01	O-RING		1	
10	503 26 60-03	COUPLER	US, CANADA	1	
10	503 26 60-04	COUPLER		1	
11	510 02 14-01	SPACER RING		1	
12	544 80 60-01	AIR CONDUCTOR		1	
13	525 83 66-04	ROTOR	230V	1	
13	525 83 66-05	ROTOR	120V	1	
14	735 31 33-10	CIRCLIP		1	
15	531 07 39-44	BALL BEARING		1	
16	724 12 87-01	SCREW CRPANM		1	
17	734 11 36-01	WASHER		1	
18	735 21 36-01	LOCKWASHER		1	
19	510 01 76-01	COVER		1	
20	503 21 88-55	SCREW IHSCF		4	
21	544 39 76-01	SLEEVE		1	13
22	503 25 09-01	BEARING		1	
23	588 60 85-01	BEARING SLEEVE		1	
24	740 44 10-00	O-RING		2	
25	582 59 04-01	RADIAL SEAL		1	2
26	502 49 65-04	O-RING		1	2

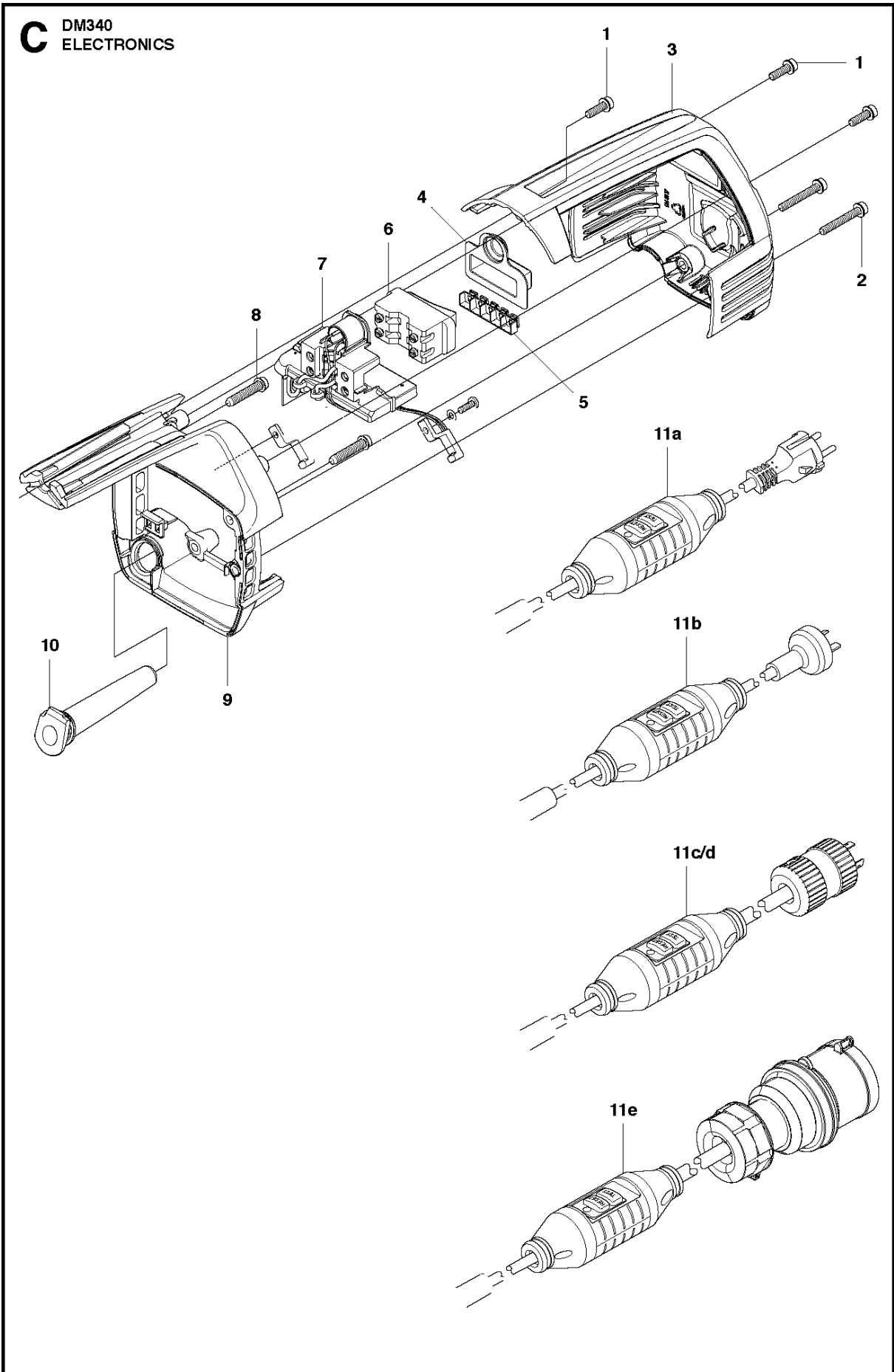
B2 DM340
MOTOR



MOTOR

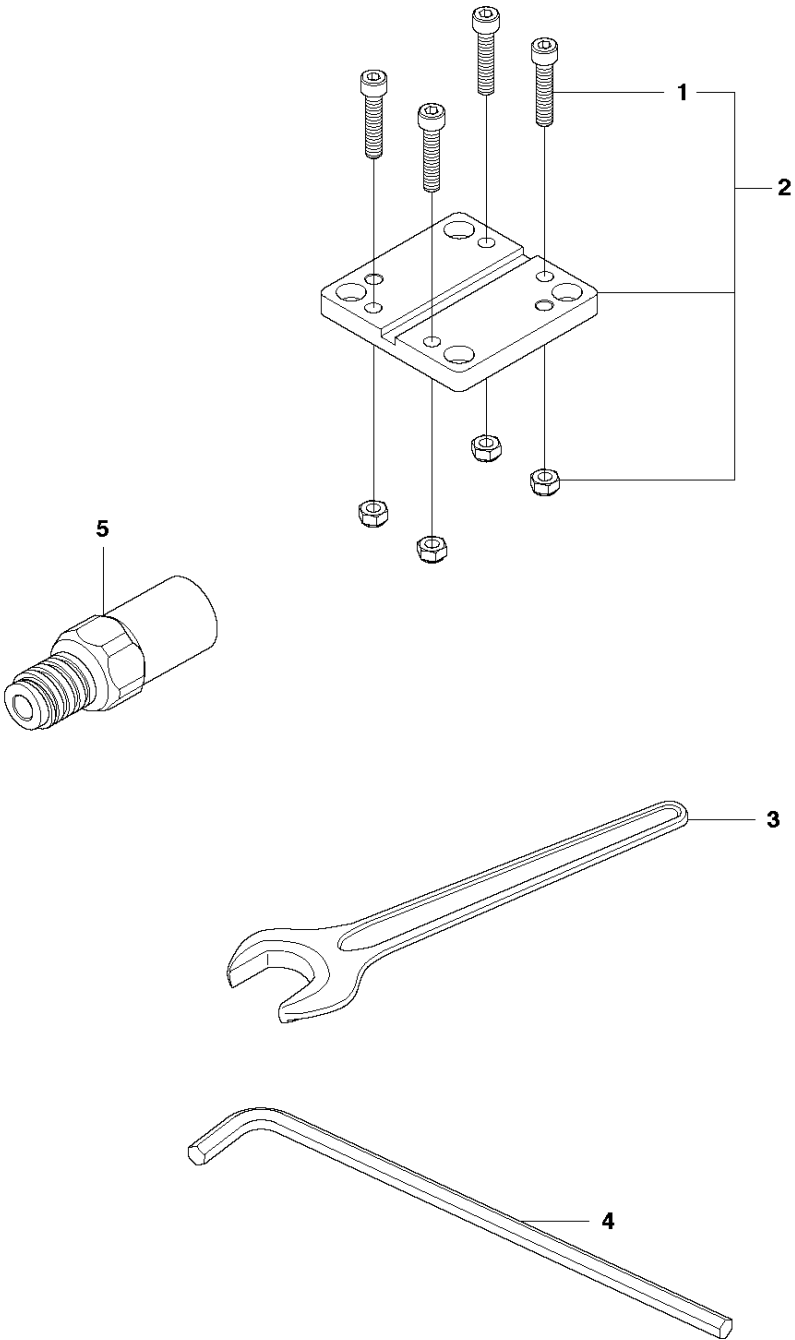
DM340, 2012

Ref	Part No	Description	Remark	QTY	KIT
1	544 40 28-02	COVER		1	
2	729 57 78-01	SCREW CCRPANT	120V, US	4	
2	525 47 63-01	SCREW ITXPANT		1	
3	504 54 50-01	FILTER	230V Only	1	
4	544 12 32-01	CABLE CLAMP		1	
4	531 03 18-87	CLIP	120V, US	1	
5	504 54 62-02	TERMINAL BLOCK	230V, valid until 20154700001	1	
5	504 54 62-01	TERMINAL BLOCK	110V, valid until 20154700001	1	
5	588 46 74-01	TERMINAL BLOCK	Valid from 20154700001	1	
6	504 54 63-01	CAPACITOR		1	
7	544 44 49-04	MOTOR HOUSING		1	
8	724 12 91-01	SCREW CRPANM		4	
9	735 11 36-50	SPRING WASHER		4	
10	732 21 14-01	LOCK NUT		2	
11	735 11 46-50	SPRING WASHER		2	
13	589 91 12-01	CARBON BRUSH	230 V	1	15
13	589 91 12-02	CARBON BRUSH	120V	1	15
15	581 05 85-05	BRUSH HOLDER	230V	1	
15	581 05 85-06	BRUSH HOLDER	120V	1	
16	544 80 61-01	AIR CONDUCTOR		1	
17	588 88 80-02	STATOR ASSY	230V	1	
17	588 88 80-01	STATOR ASSY	120V	1	
18	522 51 88-01	SCREW		2	



Ref	Part No	Description	Remark	QTY KIT
1	503 20 07-74	SCREW IHSCFM		3
2	503 20 07-82	SCREW IHSCFM		2
3	544 84 80-01	COVER		1
4	544 80 62-01	PROTECTIVE CAP		1
5	544 80 63-01	PROTECTIVE CAP		1
6	531 07 38-91	SWITCH		1
7	576 31 30-03	ELECTRONIC BOX	120V	1
7	576 31 30-04	ELECTRONIC BOX	230V	1
8	725 53 49-55	SCREW IHSCM	Valid from 20154700001	2
8	503 21 88-30	SCREW IH SCT	Valid until 20154700001	1
9	544 84 79-03	FRAME		1
10	577 41 18-01	CABLE SLEEVE		1
11a	505 44 33-02	CABLE	230V, EU	1
11b	521 90 72-02	CABLE	230V, AUS	1
11c	576 28 12-01	CABLE	230V, US	1
11d	582 38 21-01	CABLE ASSY	120V, US	1
11e	521 91 90-02	CABLE		1

D DM340
TOOLS AND ACCESSORIES



ACCESSORIES

DM340, 2012

Ref	Part No	Description	Remark	QTY KIT
1	725 54 59-01	SCREW IHSCM		2
2	522 93 68-01	KIT		
3	531 14 09-52	KEY	32 mm	
4	525 43 76-01	HEX KEY		
5	531 14 09-58	ADAPTER	SE, FI, NO, DK	1